

Product: **KLUDI ROTEXA 2000 waste and overflow set G 1 1/2**

Ref.: **2140705-00**

### Product description

waste and overflow set G 1 1/2  
with Bowden cable for bathtubs  
and deep shower tubs  
with flexible overflow pipe  
with fixed siphon trap  
two ball-joints  
50 mm water seal height  
according to DIN EN 274

Finishes:  
05 chrome

### Advertisement

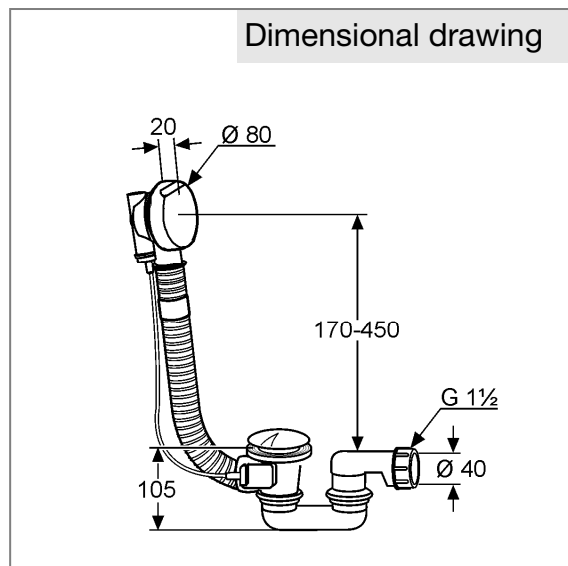
- \* KLUDI GmbH & Co KG KLUDI ROTEXA 2000 waste and overflow set  
item no. 2140705-00
- \*\* white plastic
- \*\*\* DIN EN 274

waste and overflow set KLUDI GmbH & Co KG KLUDI ROTEXA 2000 waste and overflow set item no. 2140705-00, plastic, concealed set 1 1/2 inch, for bathtubs and deep shower tubs, with fixed siphon trap with two ball joints, 50 mm water seal height, with bowden cable, in accordance to DIN EN 274, for outlet connection  $\leq 180$  mm, for overflow connection 170 - 450 mm, overall height siphon 105 mm, without connecting branch DN 40 / 50, with flexible overflow pipe, valve sieve stainless steel, for course hole 52 mm, with big valve disc diameter 70 mm, escutcheon plate diameter  $\varnothing 80$  mm chrome plated plastic, waste flow rate in accordance to DIN EN 274 / 19545 = H1 = 275 mm = 54 L/min,

### Product picture



### Dimensional drawing



### Flow rate diagram

flow rate reg.  
DIN EN 274 / 19545  
H1 = 275 mm  
  
~ 54,0 l/min