

Product: **KLUDI ROTEXA 2000 waste and overflow set G 1 1/2**

Ref.: **2140905-00**

Product description

waste and overflow set G 1 1/2
with bowden cable 850 mm long
with flexible overflow pipe 760 mm long
for special tubs
with fixed siphon trap
50 mm water seal height
two ball-joints
with waste grate
according to DIN EN 274

Finishes:
05 chrome

Advertisement

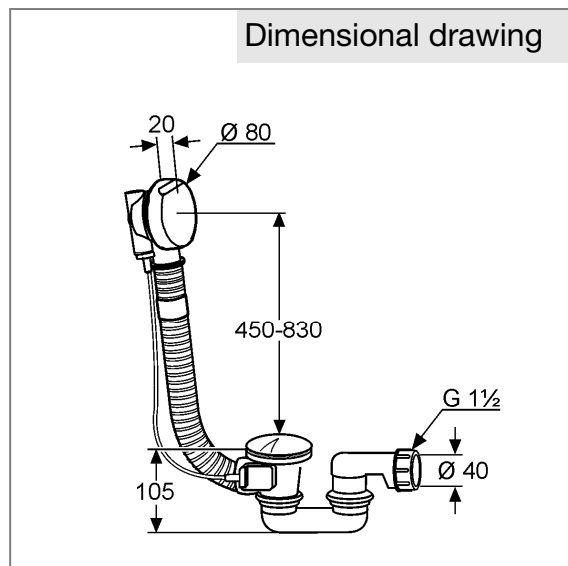
- * KLUDI GmbH & Co KG KLUDI ROTEXA 2000 waste and overflow set
item no. 2140905-00
- ** white plastic
- *** DIN EN 274

waste and overflow set KLUDI GmbH & Co KG KLUDI ROTEXA 2000 waste and overflow set item no. 2140905-00, plastic, concealed set 1 1/2 inch, for bath tubs, with fixed siphon trap with two ball joints, 50 mm water seal height, with bowden cable, in accordance to DIN EN 274, for overflow connection 450 - 830 mm, overall height siphon 105 mm, without connecting branch DN 40 / 50, with flexible overflow pipe, valve sieve stainless steel, for course hole 52 mm, with big valve disc diameter 70 mm, escutcheon plate diameter 80 mm chrome plated plastic, waste flow rate in accordance to DIN EN 274 / 19545 = H1 = 275 mm = 54 L/min,

Product picture



Dimensional drawing



Flow rate diagram

flow rate reg.
DIN EN 274 / 19545
H1 = 275 mm

~ 54,0 l/min