

**Product:** KLUDI PROVITA single lever basin mixer DN 8

**Ref.:** 333360500

**Product description**

single lever basin mixer DN 8  
 choice of lever: HOSPITAL or PUBLIC  
 single hole mounted  
 flow class Z  
 flow rate 7,6 l/min  
 PCA care jet-spray regulator M 24 x I  
 ceramic cartridge with hot water safety device  
 rapid installation set  
 rigid spout  
 copper tubes  $\varnothing$  10 mm  
 noise level I, P- IX 19335/IZ  
 without HOSPITAL – lever ref. 7491005-00  
 without PUBLIC - lever ref. 7493005-00

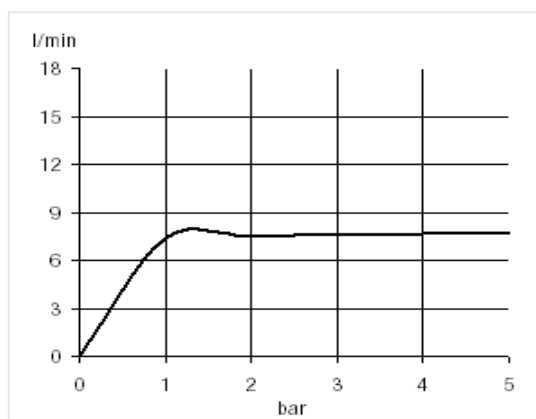
Oberfläche:  
 05 chrom

**Advertisement**

- \* KLUDI GmbH & Co KG KLUDI PROVITA single lever basin mixer item no. 333360500
- \*\* ceramic cartridge with hot water safety device  $\varnothing$  41 mm, DIN EN 817
- \*\*\* chrome plated brass, DIN 50930-6

single lever basin mixer, manufacturer KLUDI GmbH & Co KG KLUDI PROVITA single lever basin mixer item no. 333360500, DN 8, chrome plated brass, ceramic cartridge with hot water safety device  $\varnothing$  41 mm, flow rate 7,6 l/min, type: single lever basin mixer DN 8, PCA care-non aerated M 24 x I, noise level DIN 4109 group I, report no. P- IX 19335/IZ, nozzle height 88/115, lever projection of choice 120/180 mm, copper tubes  $\varnothing$  10 mm length 350 mm, nozzle projection 134/153 mm, without pop up waste, rapid installation set, overall length 192/193 mm, without HOSPITAL lever ref. 7491005-00 (180 mm) or PUBLIC lever ref. 7493005-00 (120 mm), for pressure type water heater, for continuous line heater, PN 10,

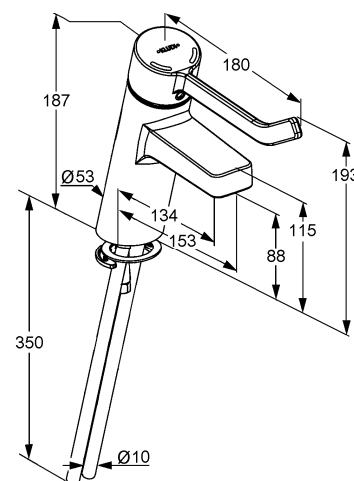
**Flow rate diagram**



Product picture



Dimensional drawing I+ HL



Dimensional drawing II + PL

