

**Product:** KLUDI ZENTA single lever bath- and shower mixer  
DN 15

**Ref.:** 384470575

**Product description**

single lever bath- and shower mixer DN 15  
deck mounted  
solid lever  
three hole tiles deck mounted installation  
flow class DB  
s-pointer aerator M 24 x I  
ceramic cartridge with hot water safety device  
automatic diverter: shower to bath tub  
protected against back flow  
retractable KLUDI ZENTA handshower  
flexible high pressure supply tube G 1/2 x 1/2 x 600 mm  
projection 220 mm  
noise group I

Finishes:  
05 chrome

**Advertisement**

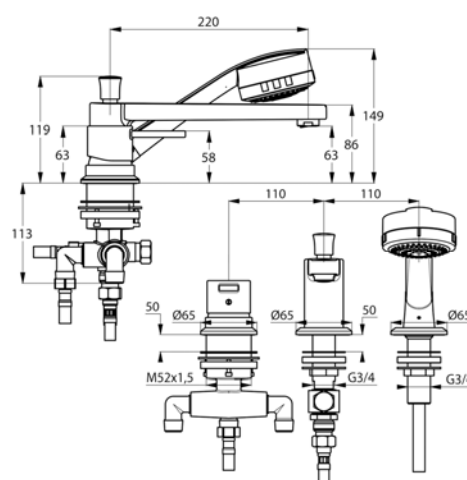
- \* KLUDI GmbH & Co KG KLUDI ZENTA single lever bath- and shower mixer item no. 384470575
- \*\* brass, DIN 50930-6
- \*\*\* ceramic cartridge with hot water safety device Ø 41 mm, DIN EN 817

deck mounted single lever bath- and shower mixer, manufacturer KLUDI GmbH & Co KG KLUDI ZENTA single lever bath- and shower mixer item no. 384470575, DN 15, chrome plated brass, ceramic cartridge with hot water safety device Ø 41 mm, solid lever, noise level DIN EN 4109 group I, without report no., type: three hole tiles deck mounted single lever bath- and shower mixer DN 15, flow class D B max. 0,42 l/s, nozzle projection 220 mm, protected against back flow DIN EN 1717, lever projection 84 mm, with (swivel) s-pointer aerator M 24 x I, automatic diverter: shower to bath tub, retractable KLUDI ZENTA handshower, fixed shuft for shower hose, flexible high pressure supply tube with DVGW / KIWA / WRAS / CSTB 1/2 x 1/2 inch x 600 mm, nozzle height 63/86 mm, for hole diameter 110 mm, with handshower KLUDI ZENTA 2 S, chrome plated plastic, with shower spray/champagne rain, with cleaning system, noise level DIN EN 4109 group I, without report no., connection 1/2 inch, diameter shower head 84 mm, length 230 mm, shower hose with metal body with W270/KTW-A 1/2 inch x 15 x 2000 mm, for pressure type water heater, for continuous line heater, PN 10,

**Product picture**



**Dimensional drawing**



**Flow rate diagram**

