

Product: **KLUDI BOZZ HYGIENIC-SET**

Ref.: **389990576**

Product description

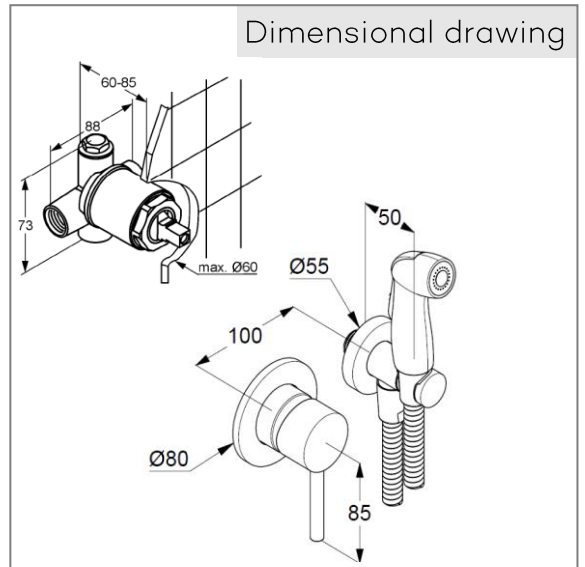
concealed shower mixer DN 15
 pre-installation set and concealed trim set
 in-wall installation
 solid lever
 ceramic cartridge with hot water safety device
 wall supply with shower holder, wall fastening
 shower hoses with conical nuts
 protected against back flow DIN EN 1717

Finishes:
 05 chrome

Product picture



Dimensional drawing



Advertisement

Hygienic SET
 manufacturer KLUDI GmbH & Co KG
 KLUDI BOZZ Hygiene Set item no. 389990576
 concealed shower mixer (item no. 38826P), DN 15, brass, ceramic cartridge with hot water safety device,
 trim set (item no. 389250576) for pre- installation set solid lever,
 wall flange chrom plated metal, without extension set 30 mm
 item no. 7598105-00, wall supply with shower holder (item no. 6054705-00), DN 15, chrome plated brass, 1/2 inch, protected against back flow DIN EN 1717, with shower holder for shower hoses with conical nuts, Shattaff (item no. 7314905) with metal hose (G1/2 x G1/2 inch x 1250 mm, flow rate at 3 bar 9 l/ min.

Flow rate diagram

