

Product: KLUDI SIRENA CARE wall rail with integrated grab bar

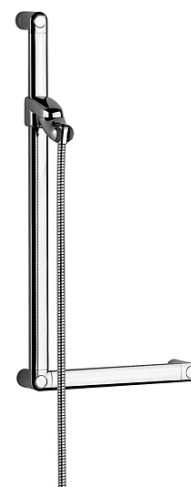
Ref.: 6150305-00

Product description

wall rail with integrated grab bar
 L = 900 mm
 integrated handrail (length = 300 mm and 45° angle), to be used left and right
 distance to wall: 50 mm
 assembling set with special plug
 ridgeless adjustable shower holder
 shower holder adjustable by pulling-down on shower hose
 vertically and horizontally adjustable shower holder
 KLUDI SUPARAFLEX hose with anti-twist
 G 1/2 x G 1/2 x 1600 mm
 tapered cone nut at both ends

Finishes:
 05 chrome

Product picture

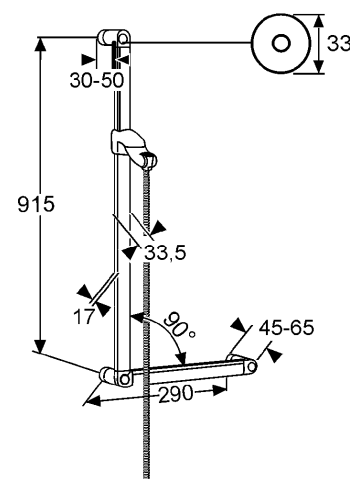


Advertisement

- * KLUDI GmbH & Co. KG KLUDI SIRENA CARE wall rail with integrated grab bar item no. 6150305-00
- ** chrome plated brass/plastic, DIN EN 248
- *** with integrated grab bars, DIN EN 1113

wall rail, KLUDI GmbH & Co. KG KLUDI SIRENA CARE wall rail with integrated grab bar item no. 6150305-00, DN 15, chrome plated brass/plastic, integrated handrail length 250 mm 90° angle to be used left and right, length 900 mm, fixing kit, distance to wall 50 mm, KLUDI SUPARAFLEX hose with non- twist, conical nuts chrome plated 1/2 x 1/2 inch x 1600 mm, assembling set with special plug, ridgeless adjustable shower holder, shower holder adjustable by pulling-down on shower hose, vertically and horizontally adjustable shower holder, PN 5, Optimal function can only guaranteed with KLUDI handshowers,

Dimensional drawing



Flow rate diagram

