

Product: KLUDI A-QA s bath-shower set 3 S DN 15

Ref.: 6575005-00

Product description

bath-shower set 3 S DN 15
 KLUDI A-QA s 3 S handshower DN 15
 with cleaning system
 adjustable to 3 spray patterns:
 Booster, Smooth, Volume
 KLUDI SIRENAFLEX-showerhose
 plastic coated
 with metal-effect
 with conical nuts
 G 1/2 x G 1/2 x 1250 mm
 fixed wall hook
 with screws and dowels
 noise group I

Finishes:
 05 chrome

Advertisement

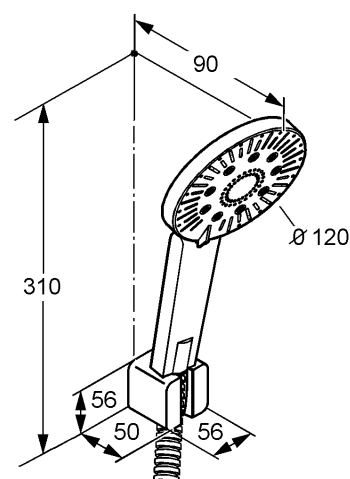
* KLUDI GmbH & Co. KG, KLUDI A-QA s bath-shower set 3 S item no. 6575005-00
 ** with cleaning system, in acc. to DIN EN 1112 / DIN EN 1113

shower set, manufacturer KLUDI GmbH & Co. KG, KLUDI A-QA s bath-shower set 3 S item no. 6575005-00, DN 15, chrome plated plastic, noise level DIN 4109 group I, report no. P- IX ..., with cleaning system, flow class B (max. flow 0,40 l/s) adjustable to 3 spray patterns: Booster / Smooth / Volume - jet, flow rate at 3 bar without flow resistance: Volume jet = 22,5 l/min / Booster jet = 15,1 l/min / Smooth jet = 16,3 l/min, length 250 mm, connection outside screw 1/2", showerhead height 20 mm, diameter showerhead Ø 120 mm, showerhead with adjustment flag, with fixed wall hook with fastening screws and dowels, for shower hoses with conical nuts, with SIRENAFLEX-showerhose G 1/2 x G 1/2 x 1250 mm with two conical nuts, for pressure type water heater, for continuous line heater, PN 5,

Product picture



Dimensional drawing



Flow rate diagram

